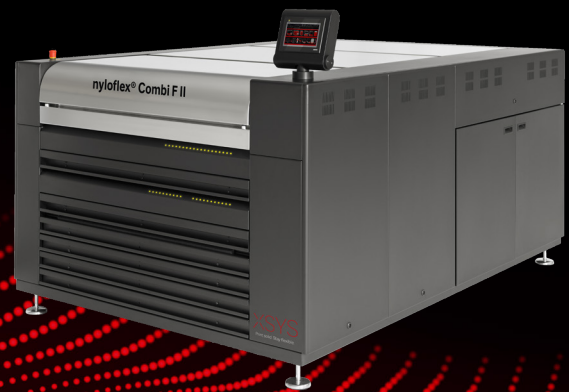


nyloflex® Combi FII

Compact all in one system



For narrow web and mid web applications, suitable for processing high quality photopolymer plates up to a maximum size of 660 mm x 860 mm (26" x 33.9")

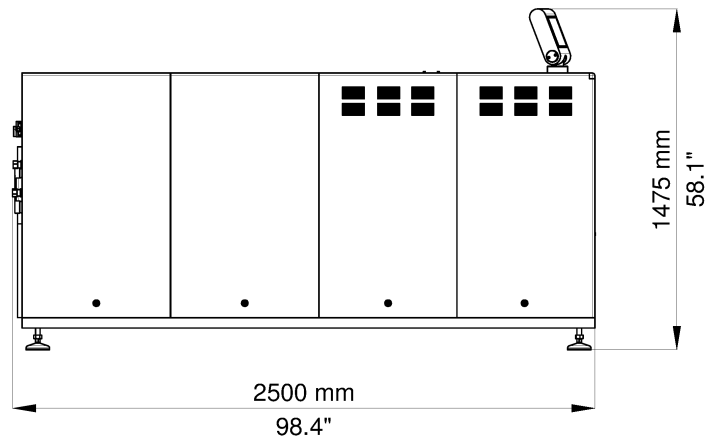
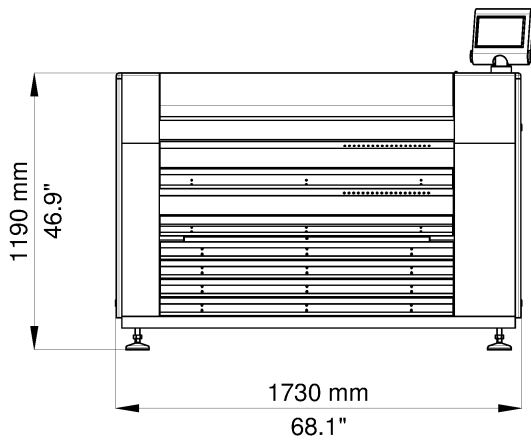
Highly efficient and consistent quality

- + New generation compact all-in-one equipment
- + Space saving and compact design including exposure, washer, dryer and light finisher
- + Exposure with 19 high power lamps,
- + Short washout times due to oscillating rotary brushes, dual tank system with pre-wash section to separate LAMS
- + Four insulated drying drawers with individual timers ensure temperature uniformity and reduce drying times
- + Consistent quality due to process automation
- 24 memory channels for processing parameters and PLC control
- Exposure section with airflow and cooled bed for optimal temperature control
- Integrated heating / chilling device for temperature control of washout solvent
- Solid content measurement with dosing pump for automatic solvent replenishment
- Optical detection of defective lamps

User-friendly operation

- + Operator friendly colour touch screen with graphic display of all functions
- + Easy plate input due to self-adhesive plate fixing - no punching, no loss of material
- + Efficient exhaust system reduces emissions
- + The operating hours of all main components can be displayed
- + Digital timer and count down facility
- + Easy access for lamp replacement

Equipment Dimensions



Technical data

nyloflex® Combi FII

Maximum plate size (W x L)	860 mm x 660 mm (33.9" x 26.0")
Electrical connection	230 V, 50/60 Hz (3 Ph/PE) / 400 V, 50/60 Hz (3 Ph/N/PE)
Nominal current	28 A / 16 A
Nominal power	10 kW
Exhaust air flow rate	min. 440 Nm ³ /h (260 CFM)
Compressed air	Ø 6 mm, min. 6 bar, (87 PSI)
Tube type UV-A	60 W, high intensity tubes with reflector
Tube type UV-C	75 W, TUV
Dryer	4 drawers
Weight (approx.)	1000 kg (2204 lbs) net 1300 kg (2866 lbs) gross
Crate dimensions (W x D x H)	2780 mm x 1910 mm x 1630 mm (109.5" x 75.2" x 64.2")
Recommended ambient temp.	20 - 25 °C (68 - 77 °F)

Please contact us for additional information.

info@xsysglobal.com • www.xsysglobal.com

The aim of our technical documents is to inform and advise our customers. The information provided herein is correct to the best of Flint Group's knowledge. No liability for any errors, facts or opinions is accepted. Customers must satisfy themselves as to the suitability of this product for their application. No responsibility for any loss as a result of any person placing reliance on any material contained herein will be accepted. Product names followed by ® are trademarks registered by Flint Group.